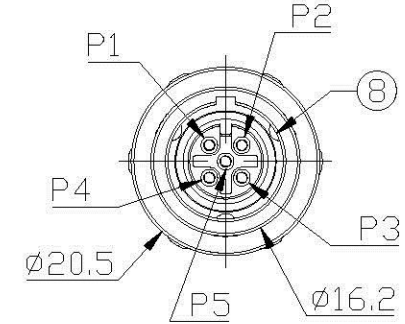
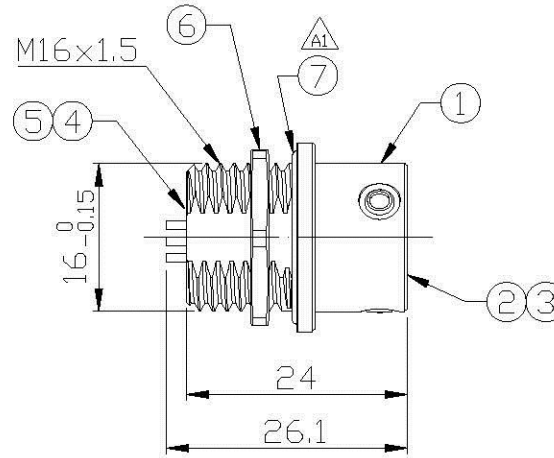
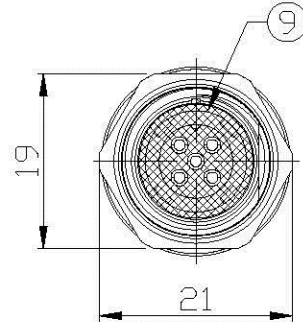


Notes: (Unless Otherwise Specified)

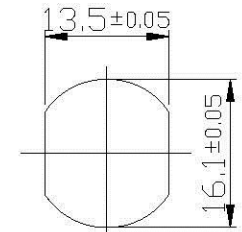
1. Waterproof Rate : IP68
2. Recommend Panel Thickness: 0.8 to 8.0 mm
3. Recommend Torque: 15~16 Kgf-cm
4. Durability: 100 Cycles Min.
5. DWV: 1000 Vrms
6. Rated Voltage: 60V AC/DC
7. Insulation Resistance: 100 MΩ Min.
8. RoHS Compliant.

REV	ECN#	DESCRIPTION OF REVISION	DRAW BY DATE	CHECK BY DATE	APPROVE BY DATE
A0		Mass Production	Hank 01/14/12	Ray 01/14/12	Ray 01/14/12
A1	ECN-130503	Change O-Ring & Redraw	Hank 05/10/13	Ray 05/10/13	Ray 05/10/13



9	Glue	Epoxy Color: Black	
8	Metal Ball	SUS Finish:-	3
7	O-Ring	Silicone Color: Gray	1
6	Metal Hex Nut	SUS Finish:-	1
5	Contacts	Copper Alloy Finish: Au Plated	5
4	Base	Thermoplastic Color: Black	1
3	O-Ring	Silicone Color: Gray	1
2	Housing	Thermoplastic Color: Black	1
1	Metal Body	SUS Finish:-	1
Item	Part Name	Material / Finish	Qty

GTC
DOC.CENTER.ISSUE
MAY.10.2013
ONLY FOR
RELEASE



Recommended
Panel Cut-Out

TITLE						DRAWING NUMBER			REV.	
Push Lock M16 4A 5P SUS303 Panel Rear Mount Female Solder						GT261200-03050			A1	
	B	1:1	Hank 01/14/12	Ray 01/14/12	Ray 01/14/12	X.X ± 0.5 X.XX ± 0.2	X.XXX ± 0.05 ANGLES ± 1°	mm	1/1	
THIRD ANGLE PROJECTION	SIZE	SCALE	DRAW / DATE	CHECK / DATE	APPROVE / DATE	TOLERANCES		UNIT	SHEET	

All Connectors
www.allconnectors.de
 TEL: 0049 711 7069503
 70794 Filderstadt - Germany

info@allconnectors.de
 Fax: 0049 711 7069504
 Kettenstr. 25

THE INFORMATION CONTAINED HEREIN IS THE PROPRIETARY PROPERTY OF GT CONTACT CO.,LTD THE POSSESSOR AGREES TO THE FOLLOWING:
 (1) TO MAINTAIN THIS DOCUMENT IN CONFIDENCE
 (2) NOT TO REPRODUCE OR COPY IT
 (3) NOT TO REVEAL OR PUBLISH IT IN WHOLE OR PART
 (4) ALL RIGHTS RESERVED